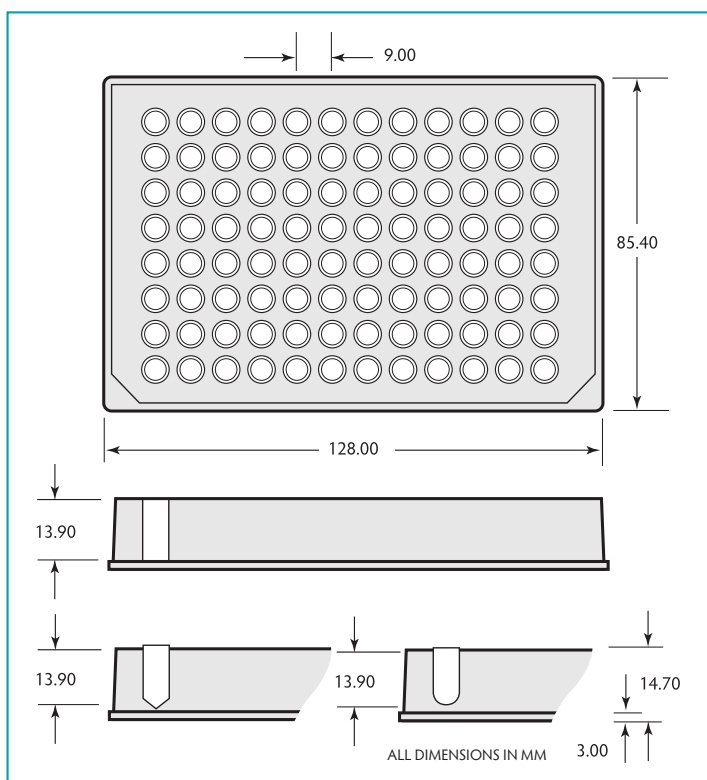
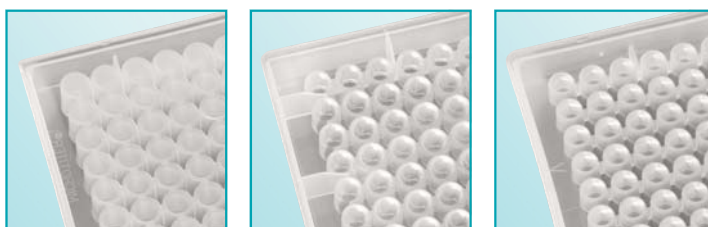


## 96-well shallow round

### 14.7mm height

Porvair Sciences offers three plates with well capacities of 350 $\mu$ l, 270 $\mu$ l and 220 $\mu$ l. They have flat-, round- or V-bottoms and can be used for compound storage and culturing.

- *Manufactured in polypropylene*
- *Alphanumeric grid reference*
- *Round and V-bottom allow greater liquid removal and particulate collection*
- *Raised rims improve sealing and stop cross contamination*



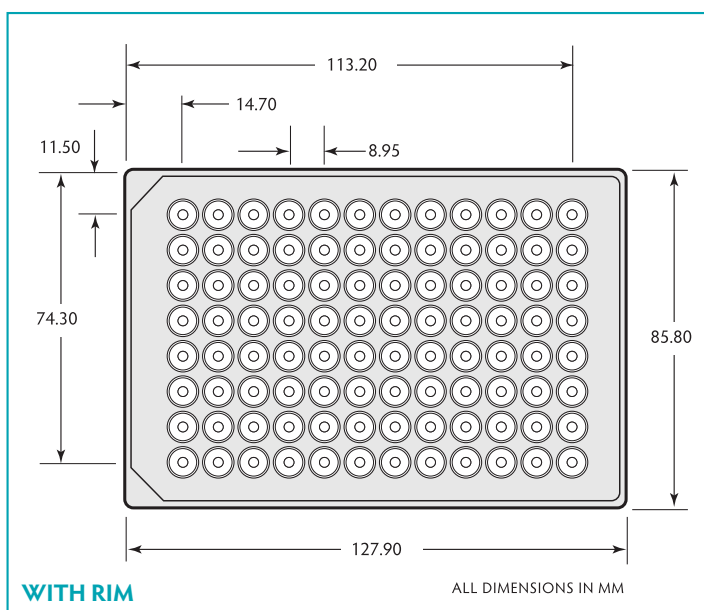
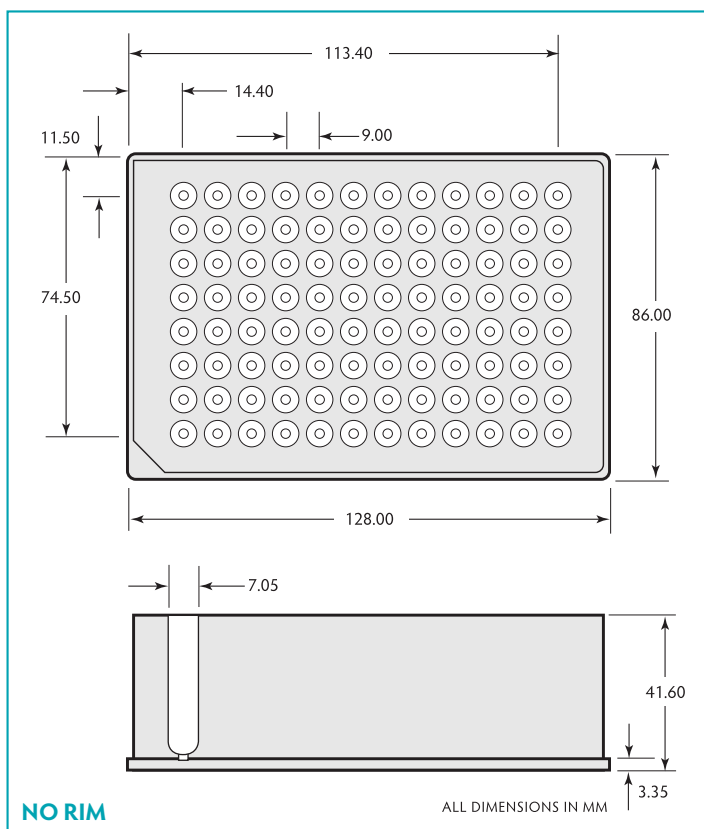
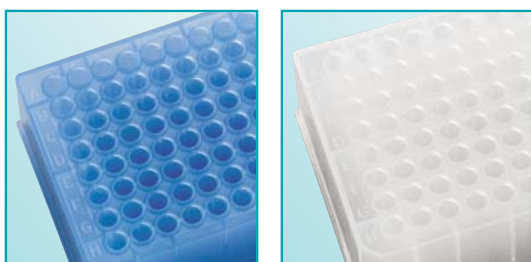
### Storage plates round

Rim and bottom well shape	Material	Well volume	Sterile	Quantity/case	Cat. no.
No rim, flat	Polypropylene	350 $\mu$ l	–	100	208003
Raised-round	Polypropylene	270 $\mu$ l	–	100	209003
Raised-V	Polypropylene	220 $\mu$ l	–	100	210003

## 96-well deep round 42mm height

The plates are made in virgin polypropylene to minimise extractables. Working volume is 1ml per well and total volume is 1.1ml. Coloured plates aid identification when retrieving from storage. Black plates are suitable for storing light sensitive compounds.

- Manufactured from pre-tested polypropylene for low extractables
- Alphanumeric grid-referencing
- DNase/ RNase free
- Packed in sealed sleeves of 5 plates
- Rimmed version to stop cross contamination and enable a better seal
- Non rimmed version to allow insertion of vials, or where the seal is not crucial
- Cylindrical well with round bottom for optimal mixing and recovery
- Very easy to use with automated sample handling systems
- Can be stored at -80°C



### Polypropylene storage plates round

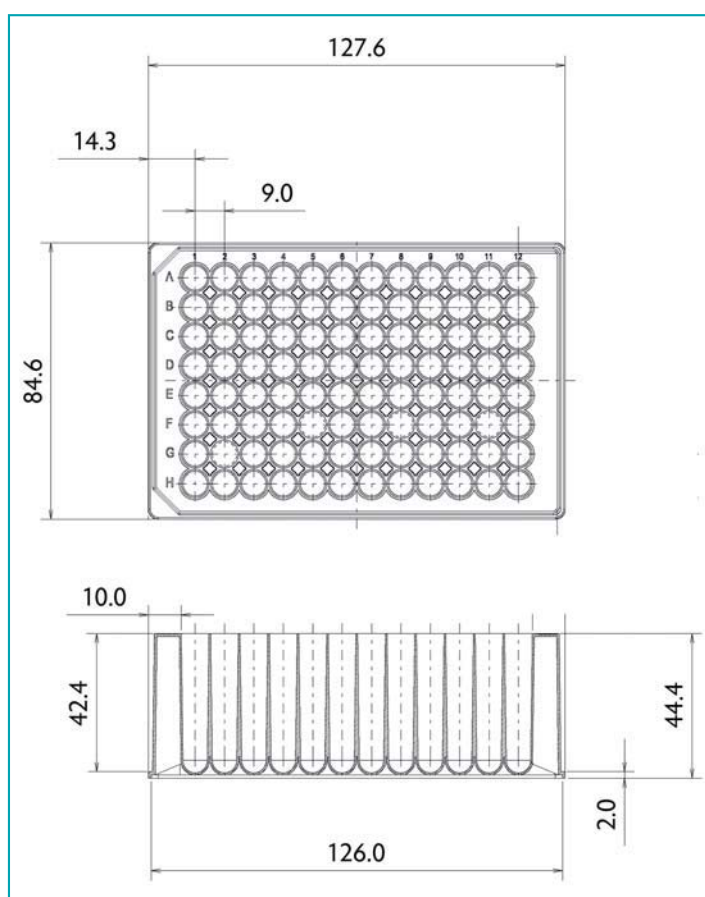
Rim and bottom well shape	Colour	Well volume	Sterile	Use cap mat	Quantity/case	Cat. no.
Raised- round	Natural	1ml	-	219036	50	219002
Raised- round	Natural	1ml	✓	219042	50	219012
No rim- round	Natural	1ml	-	219036	50	219037
Raised- round	Blue	1ml	-	219036	50	219432
Raised- round	Red	1ml	-	219036	50	219422
Raised- round	Black	1ml	-	219036	50	219412

## 96-well deep round 'common wall' 45mm height

These revolutionary plates are made in virgin polypropylene to minimise extractables. Maximum volume is 2.075ml per well and working volume is a useful 1.85ml, more than any other comparable '2ml Round Well' plate in this class. The 'common wall' design allows the highest possible volume to be used whilst maintaining an overall height of just 45mm, complete with ANSI/SLAS standard base and footprint. Extra working volume is thus assured in a convenient round bottom, round well format.



- Manufactured from pre-tested polypropylene for low extractables
- Alphanumeric grid-referencing
- DNase/ RNase free
- Packed in sealed sleeves of 5 plates
- Cylindrical well with round bottom for optimal mixing and recovery
- Very easy to use with automated sample handling systems
- Can be stored at -80°C
- Easily sealed with matching Cap Mat or heat seal
- Fits Waters AcQuity™ autosamplers



### 96-well deep round 'common wall'

Description	Pk/Qty	Part No.
96 Deep well, 2ml/well Polypropylene round well rimless DNA/RNAase free, inner bag of 5	50	219020
96 Deep well, 2ml/well Sterile Polypropylene round well rimless DNA/RNAase free, inner bag of 5	50	219021