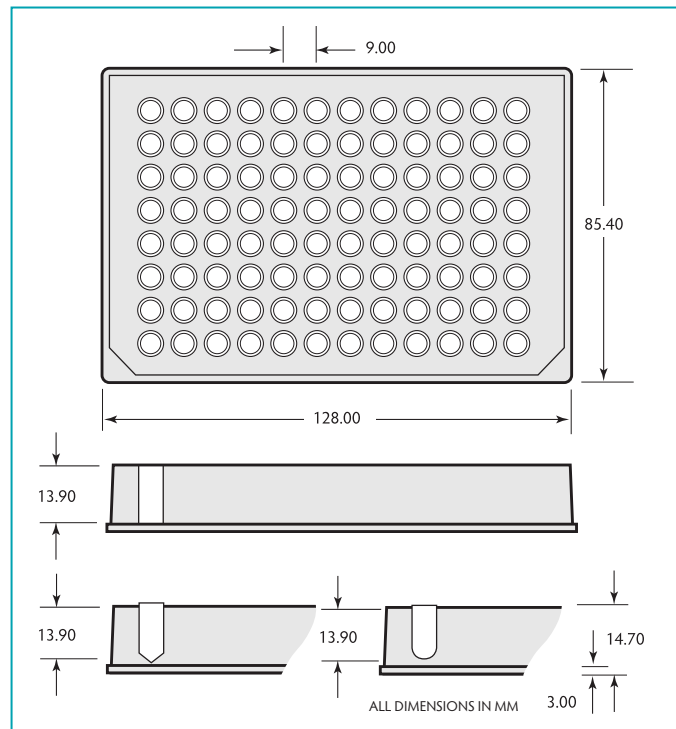
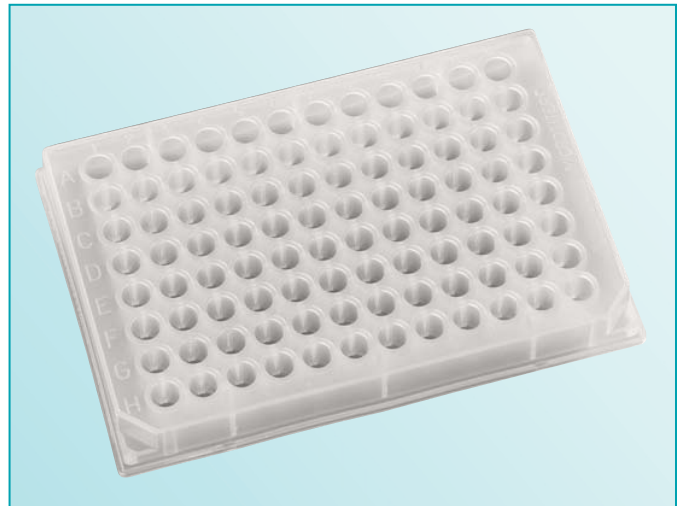


## 96-well shallow round 14.7mm height

Porvair Sciences has developed a number of storage/collection plates to help in the fields of cell biology, molecular biology, drug discovery, combinatorial chemistry, screening and genomics. The plates are manufactured under clean room conditions and a significant number are DNase/RNase free. They are mainly made from polypropylene, an inert material giving heat and solvent resistant qualities. Porvair Sciences offers the largest combination of well shape, number of wells and well volume on the market. Each is made to the ANSI/SLAS format for compatibility with most readers/washers and automated equipment.

Porvair Sciences offers three plates with well capacities of 350µl, 270µl and 220µl. They have flat-, round- or V-bottoms and can be used for compound storage and culturing.

- *Manufactured in polypropylene*
- *Alphanumeric grid reference*
- *Round and V-bottom allow greater liquid removal and particulate collection*
- *Raised rims improve sealing and stop cross contamination*



### Storage plates round

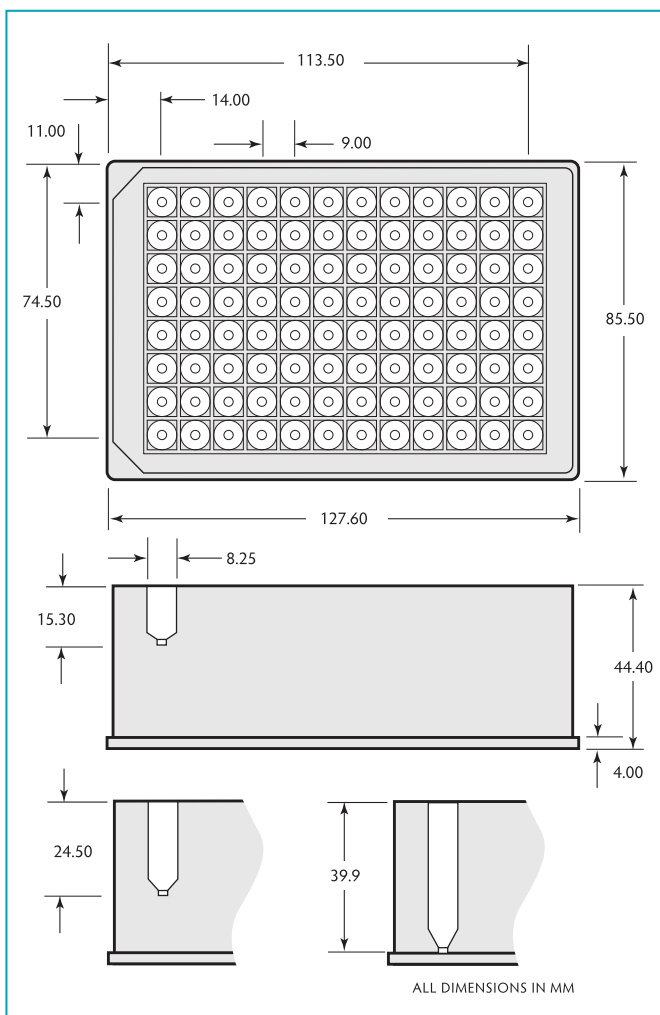
Rim and bottom well shape	Material	Well volume	Sterile	Quantity/case	Cat. no.
No rim, flat	Polypropylene	350µl	–	100	208003
Raised-round	Polypropylene	270µl	–	100	209003
Raised-V	Polypropylene	220µl	–	100	210003

## 96-well deep square

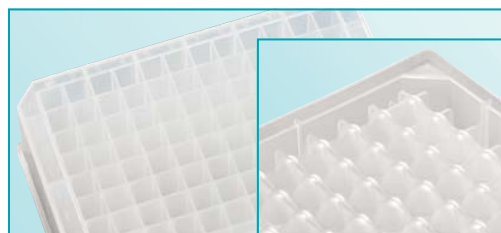
### 44mm height

The family of 96 square well plates was designed so that it would make the interchange of plates simpler in automated systems. All three plates have the same geometry and the only variable is the well depth.

- Made from virgin polypropylene
- Tested for low extractables
- V bottom to allow total liquid removal, partial collection and to aid re-suspension
- No inner edges to allow better collection of magnetic beads
- DNase/ RNase free
- Working volumes of 350µl, 1ml, and 2ml
- Raised well rims to improve heat sealing
- Conical base which aids sample concentration, reconstitution and centrifugation
- Sterile and non-sterile versions available
- Toughened genomics version for seed and leaf grinding



Drawing of 500066 available on request.



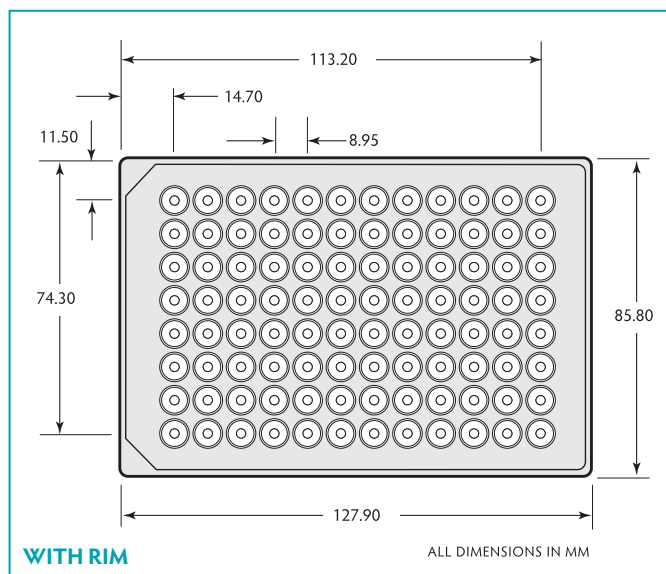
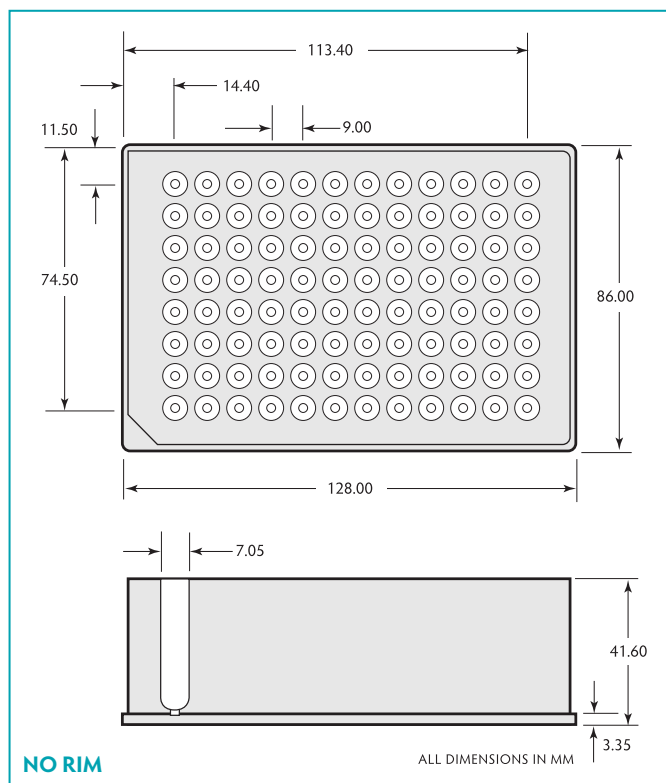
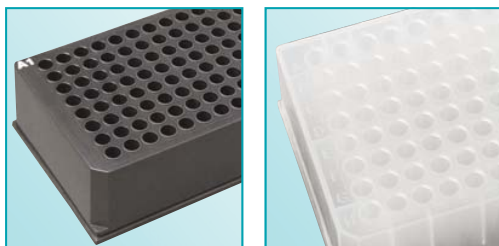
### Storage plates 96 square well

Description	Well volume	Sterile	Use cap mat	Quantity/case	Cat. no.
Polypropylene, pyramid bottom	2.0ml	–	219004	50	219009
Polypropylene, pyramid bottom, sterile, inner bag of 5	2.0ml	✓	219019	50	219027
Polypropylene, pyramid bottom, toughened for genomics	2.2ml	–	219004	50	219030
Polypropylene, pyramid bottom, toughened for genomics	2.2ml	✓	219004	50	219031
Polypropylene, pyramid bottom	1.0ml	–	219004	50	219008
Polypropylene, pyramid bottom, sterile, inner bag of 5	1.0ml	✓	219019	50	219026
Polypropylene, pyramid bottom	350µl	–	219004	50	219006
Polypropylene, pyramid bottom, sterile, inner bag of 5	350µl	✓	219019	50	219025

## Deep well round 1ml 42mm height

The plates are made in virgin polypropylene to minimise extractables. Working volume is 1ml per well and total volume is 1.1ml. Coloured plates aid identification when retrieving from storage. Black plates are suitable for storing light sensitive compounds.

- Manufactured from pre-tested polypropylene for low extractables
- Alphanumeric grid-referencing
- DNase/ RNase free
- Packed in sealed sleeves of 5 plates
- Rimmed version to stop cross contamination and enable a better seal
- Non rimmed version to allow insertion of vials, or where the seal is not crucial
- Cylindrical well with round bottom for optimal mixing and recovery
- Very easy to use with automated sample handling systems
- Can be stored at -80°C



### Polypropylene storage plates round

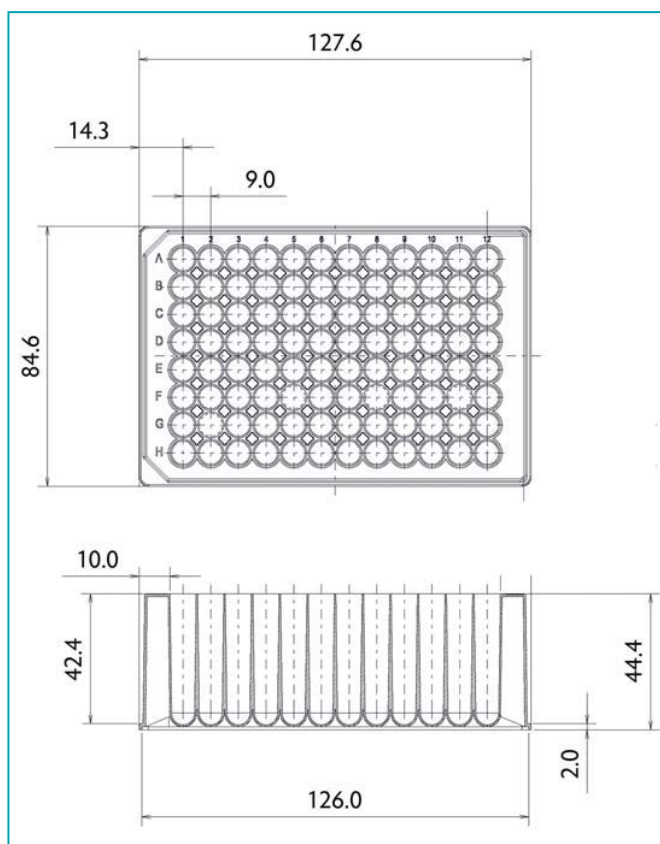
Rim and bottom well shape	Colour	Well volume	Sterile	Use cap mat	Quantity/case	Cat. no.
Raised- round	Natural	1ml	–	219036	50	219002
Raised- round	Natural	1ml	✓	219042	50	219012
No rim- round	Natural	1ml	–	219036	50	219037
Raised- round	Black	1ml	–	219036	50	219412

## 96-well deep round ‘common wall’ 45mm height

These revolutionary plates are made in virgin polypropylene to minimise extractables. Maximum volume is 2.075ml per well and working volume is a useful 1.85ml, more than any other comparable ‘2ml Round Well’ plate in this class. The ‘common wall’ design allows the highest possible volume to be used whilst maintaining an overall height of just 45mm, complete with ANSI/SLAS standard base and footprint. Extra working volume is thus assured in a convenient round bottom, round well format.



- Manufactured from pre-tested polypropylene for low extractables
- Alphanumeric grid-referencing
- DNase/ RNase free
- Packed in sealed sleeves of 5 plates
- Cylindrical well with round bottom for optimal mixing and recovery
- Very easy to use with automated sample handling systems
- Can be stored at -80°C
- Easily sealed with matching Cap Mat or heat seal
- Fits Waters AcQuity™ autosamplers



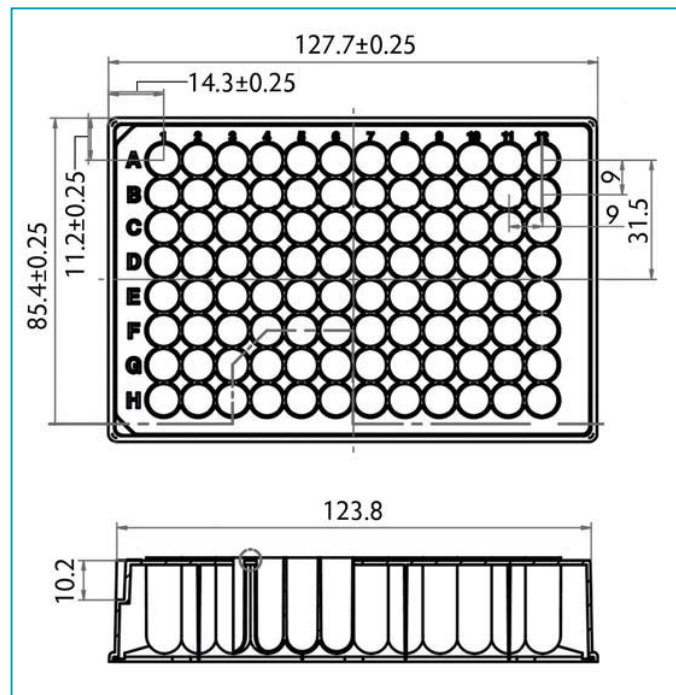
### 96-well deep round ‘common wall’

Description	Pk/Qty	Part No.
96 Deep well, 2ml/well Polypropylene round well rimless DNA/RNAase free, inner bag of 5	50	219020
96 Deep well, 2ml/well Sterile Polypropylene round well rimless DNA/RNAase free, inner bag of 5	50	219021

## 96-well round low profile

A new introduction to the Porvair range is a low profile 1.2ml 96-well round plate with a height of just 27mm. This allows more plates to be stored or stacked in a given space. The plates are made with extractable-free polypropylene for excellent results. A specific anti-evaporation cap mat is also available for this plate manufactured from thermoplastic elastomer.

- *Allows stacking in higher densities*
- *Minimises space needed for compound storage*
- *Pure virgin polypropylene*
- *Matching snug-fitting cap mat*



### 96-well round low profile

Description	Working well vol	Sterile	Qty/case	Cat. no.
96-well round low profile plate	1.1ml	-	50	219250